

The Renovator Paint Runner Pro



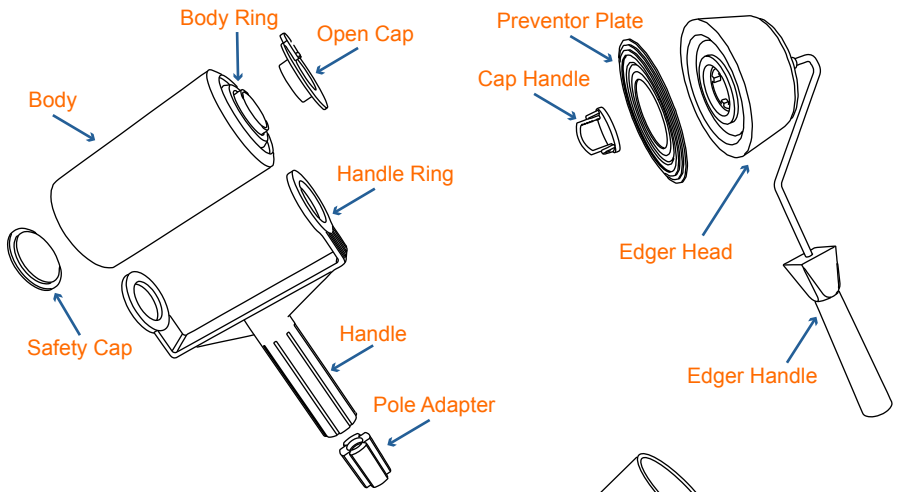
Owner's Manual

For best results, please read this owner's manual thoroughly before using your Paint Runner and accessories.

1. Only use acrylic or latex paints (no enamel or oil-based paints).
2. Always stir paint thoroughly before use.
3. If paint is too thick, mix in a little water as per manufacturer's instructions to achieve desired consistency.
4. For a quality finish, always apply two coats.
5. Only apply the second coat when the first coat is completely dry.
6. As with all DIY/Decorating activities, always make sure that you take the appropriate safety precautions.
7. If Edger Head is loose, it has not been pushed on to the handle firmly enough. Do not be afraid to use a little force to secure the Edger Head.



ALWAYS READ INSTRUCTIONS BEFORE USE



Preparing your Paint Runner for use

1. Remove the Open Cap from the Paint Runner.
2. Pour up to 900 ml of paint into the Paint Runner using the Easy Pour Jug (Fig. 1).
3. Replace the Open Cap and make sure it is thoroughly secure (It should click into place).
4. You now need to 'charge' the Paint Runner. Do this by rolling it on old newspaper for 2-3 minutes, until paint is visible all over the roller (Fig. 2).

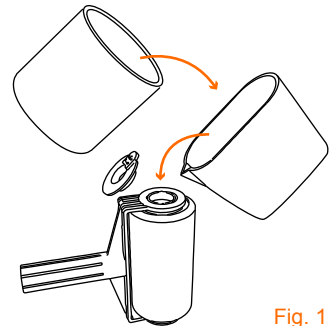


Fig. 1

YOUR PAINT RUNNER IS NOW READY TO USE!

Using the Paint Runner

1. Make sure you are happy with the weight of the Paint Runner. If not, carefully remove the Open Cap and pour paint back into the can until you can use Paint Runner comfortably.
2. For ceilings and high walls you can extend your reach with a threaded pole or you can use a broom handle if you don't have a threaded pole.
3. When working at height, always ensure you have a firm footing and both hands on the pole.
4. When using the pole, always ensure you are positioned directly under the weight of the roller (Fig. 3).
5. When applying paint do not press too hard. Let the Paint Runner do the work for you.

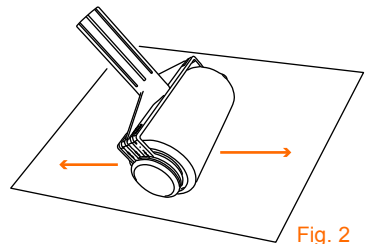


Fig. 2

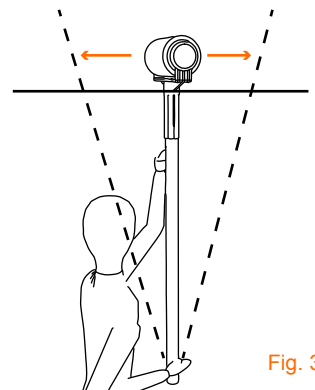


Fig. 3

During Intervals

If taking a break, stand the Paint Runner on its handle. If your break is likely to be longer than 2 hours, place the Paint Runner in a sealed bag to prevent drying out.

Washing the Paint Runner & changing the head

Remove the Open Cap from your Paint Runner and flush with warm running water, until clean. Dry out for immediate use by rolling the Paint Runner on paper or cloth or air-dry for later use.

To change the head on the Paint Runner, remove the Open Cap, then the Safety Cap and prise the handle apart to release the head. Replace with the new head and then the Safety Cap and finally the Open Cap (Fig. 4).

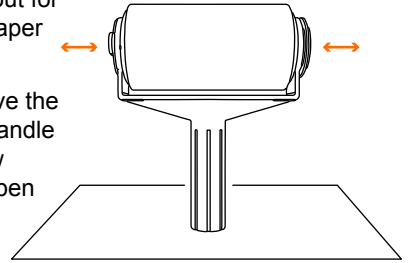


Fig. 4

Pole Adapter

1. Taper Pole without thread to be firmly inserted into handle (Fig 5).
2. Threaded Pole to be used with pole adapter (Fig 6).

(Note: pole thread to be of the same size with Pole Adapter)

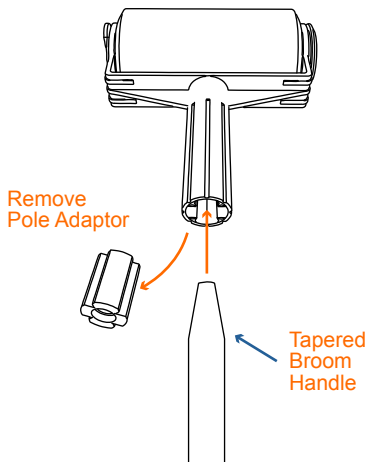


Fig. 5

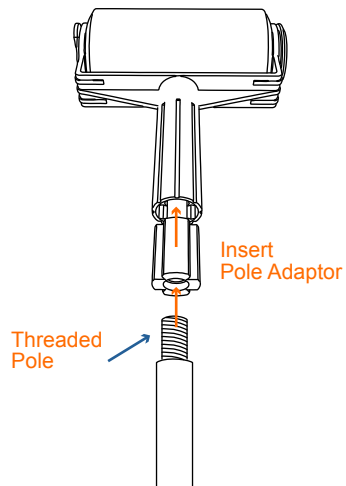
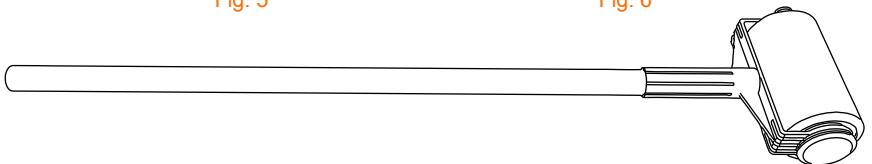


Fig. 6



Preparing your Flocked Edger

1. Lift the Open Cap handle and twist anti-clockwise to open.
2. Pour the paint into the Edger Head using the Easy Pour Jug (Fig.7).
3. Replace the Open Cap, twist clockwise to lock and put the Open Cap handle down.
4. Clean the excessive paint on the Edger Head, if any.
5. Charge the Edger Head by rolling it on an old newspaper for 2 minutes or until the roller is fully covered with paint (Fig. 8).
6. The Edger Head is now ready for use.
7. When painting, ensure that the Edger Head is tilted at an angle from the adjacent wall. The sponge portion should be seated fully on the painted wall (Fig. 9).

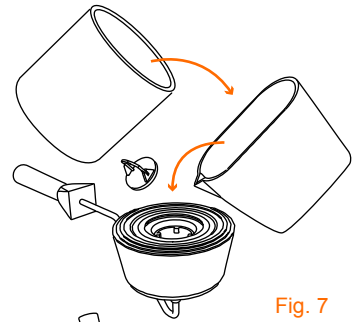


Fig. 7

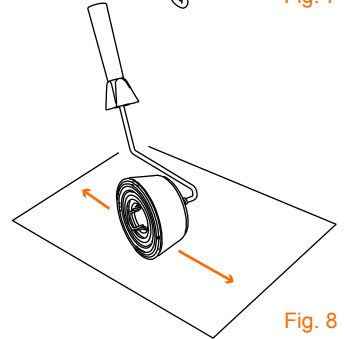


Fig. 8

Cleaning the Flocked Edger

1. Lift the Open Cap handle and twist anti-clockwise to open.
2. Dispose of significant amounts of paint responsibly.
3. Remove the Open Cap and Preventor Plate from your Edger Head and flush with water, until clean (Fig. 10). Dry out for immediate use by rolling the Flocked Edger on old newspaper or cloth or air-dry for later use.

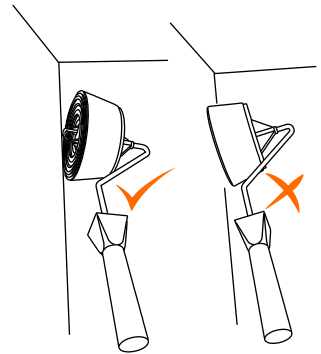


Fig. 9

Exclusively Distributed Throughout Australasia by:

Brand Developers Aust Pty Ltd
461 Plummer Street,
Port Melbourne, VIC 3207, AUSTRALIA
AUST Customer Care: 1800 890 840

Brand Developers Limited
Unit H, 686 Rosebank Road,
Avondale, 1026 Auckland, NEW ZEALAND
NZ Customer Care: 0800 002 999

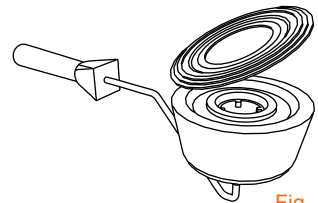


Fig. 10

PRR_RCART
BDV1